

## RV/RVE/RVZ SERIES BASIC VACUUM GENERATOR



### PRODUCT FEATURES

- \*The product can be combined with an electromagnetic valve, without the need for additional installation of an electromagnetic valve, and can be equipped with a pressure switch.
- \*The pressure switch type is designed using the principle of magnetic induction, and the generator is overall beautiful and exquisite.
- \*The product comes with a standard muffler and quick connector, which can minimize product noise.
- \*Stable performance, lightweight, and more convenient to use.

### PERFORMANCE OVERVIEW

- \*Standard gas supply pressure 3.5~5 bar
- \*Exhaust noise: 65-75dB (A).
- \*Maximum vacuum degree: -92kPa.

### MODEL SPECIFICATIONS

RV	10	-	H	S	CK	-	-	-	-	<input type="checkbox"/>	
RVE	10	-	H	S	CK	-	<input type="checkbox"/>	<input type="checkbox"/>	-	<input type="checkbox"/>	
RVZ	10	-	H	S	CK	-	<input type="checkbox"/>	<input type="checkbox"/>	-	<input type="checkbox"/>	
	①	②	③	④	⑤		⑥	⑦		⑧	
RV	10	-	<b>HSCKS</b>								
RVE	10	-	<b>HSCKS</b>			-	<b>08</b>	-	<input type="checkbox"/>	-	<input type="checkbox"/>
	①	②					⑨	⑥		⑦	

① Product Series	② Nozzle diameter	③ Performance specifications	④ Gas supply pressure
RV	05 - Ø0.5mm	<b>H</b> - High vacuum type (-92kPa) <b>S</b> - 5bar <b>L</b> - High flow type (-60kPa) <b>R</b> - 3.5bar  <small>*Note: RVE and RVZ only have 10/15 specifications: Only 10/15 Specifications can be selected when RV,RVE and RVZ are installed in tandem and only hsck specifications are available</small>	
RVE	10 - Ø1.0mm		
RVZ	15 - Ø1.5mm		
	20 - Ø2.0mm		
	25 - Ø2.5mm		
	30 - Ø3.0mm		

⑤ Vacuum pressure detection section	⑥ Power connection form	⑦ Output function	⑧ Silencer
<b>Blank</b> - Default, Standard	<b>Blank</b> - Default, Horizontal (M)	<b>Blank</b> - Default, Normally Closed (NC)	<b>Blank</b> - Default specifications
<b>CK</b> - With adjustable magnetic switch	<b>Z</b> - Vertical (L)	<b>NO</b> - Normally open (NO)	<b>H</b> - HS Silencer

⑨ Number of connected rows
02 - 2Townhouse
03 - 3Townhouse
10 - 10Townhouse

\*Remarks: HS silencer is only applicable to models 05 and 10

## RV/RVE/RVZ SERIES BASIC VACUUM GENERATOR

### PERFORMANCE PARAMETER

RV05~30

Model	Optimal gas supply pressure (bar)	Maximum vacuum degree (- kPa)	Maximum vacuum flow rate (NL/min)	Gas consumption (NL/min)	Nozzle diameter (mm)	Operating temperature (°C)
RV05HS	3.5~5	88	8	12	0.5	0~60 (Nonfreezing)
RV10HS		92	27	44	1.0	
RV15HS		92	65	100	1.5	
RV20HS		92	110	180	2.0	
RV25HS		92	165	265	2.5	
RV30HS		92	220	385	3.0	
RV05LS	3.5~5	60	10	12	0.5	0~60 (Nonfreezing)
RV10LS		60	36	44	1.0	
RV15LS		60	86	100	1.5	
RV20LS		60	170	180	2.0	
RV25LS		60	245	265	2.5	
RV30LS		60	340	385	3.0	

#### VACUUM FLOW RATE (NL/min) AT DIFFERENT VACUUM DEGREES (- kPa)

Model	Air Supply Pressure bar	Gas Consumption NL/min	Maximum Vacuum Degree - kPa										Maximum Vacuum Degree - kPa
			0	10	20	30	40	50	60	70	80	90	
RV05HS	5	12	8	5.5	4.2	3	1.5	0.8	0.5	0.2	0.05	0.002	88
RV10HS		44	27	19	16	14.5	13	10.5	8	6.5	2.5	1	92
RV15HS		100	65	55	44	37	32.5	25	18	14	9	4.5	
RV20HS		180	110	100	85	75	55	40.5	30	20	12	6	
RV25HS		265	165	155	140	120	95	72	47	28	15	7.5	
RV30HS		385	220	200	160	135	105	78	55	33	19	9.5	
RV05LS	5	12	10	9	8	6.5	2.5	1.8	0.5	-	-	-	
RV10LS		44	36	31.5	23.5	16.5	10	6.5	2	-	-	-	
RV15LS		100	86	78	70	47.5	30.5	15.5	5	-	-	-	
RV20LS		180	170	125	115	95	70	35.5	6.5	-	-	-	
RV25LS		265	245	215	200	150	105	60	30	-	-	-	
RV30LS		385	340	295	267	215	150	85	37	-	-	-	

#### PUMP-DOWN TIME (NL/S) AT DIFFERENT VACUUM DEGREES (- kPa)

Model	Air Supply Pressure bar	Gas Consumption NL/min	Maximum Vacuum Degree - kPa										Maximum Vacuum Degree - kPa
			0	10	20	30	40	50	60	70	80	90	
RV05HS	5	12	-	0.68	1.38	2.77	4.32	6.02	8.25	9.44	11.82	14.35	88
RV10HS		44	-	0.2	0.49	0.82	1.25	1.74	2.32	2.95	4.0	6.95	92
RV15HS		100	-	0.08	0.19	0.32	0.46	0.69	0.92	1.38	1.95	3.33	
RV20HS		180	-	0.04	0.10	0.17	0.23	0.34	0.49	0.91	0.92	1.92	
RV25HS		265	-	0.03	0.07	0.11	0.17	0.24	0.35	0.49	0.75	1.32	
RV30HS		385	-	0.03	0.06	0.09	0.14	0.2	0.27	0.41	0.63	1.11	
RV05LS	5	12	-	0.31	0.98	1.89	3.17	5.12	7.1	-	-	-	
RV10LS		44	-	0.12	0.28	0.51	0.83	1.32	1.52	-	-	-	
RV15LS		100	-	0.45	0.10	0.15	0.26	0.42	0.64	-	-	-	
RV20LS		180	-	0.03	0.06	0.11	0.14	0.25	0.38	-	-	-	
RV25LS		265	-	0.02	0.05	0.08	0.12	0.18	0.31	-	-	-	
RV30LS		385	-	0.02	0.04	0.06	0.09	0.13	0.25	-	-	-	

## RV/RVE/RVZ SERIES BASIC VACUUM GENERATOR

### PERFORMANCE PARAMETER

RVE~RVZ

Model	Optimal gas supply pressure (bar)	Maximum vacuum degree (- kPa)	Maximum vacuum flow rate (NL/min)	Gas consumption (NL/min)	Nozzle diameter (mm)	Operating temperature (°C)
RVE05HS	3.5~5	88	8	12	0.5	0~60 (Nonfreezing)
RVE10HS		92	27	44	1.0	
RVE15HS		92	65	100	1.5	
RVE05LS	3.5~5	60	10	12	0.5	0~60 (Nonfreezing)
RVE10LS		60	36	44	1.0	
RVE15LS		60	86	100	1.5	
RVZ05HS	3.5~5	88	8	12	0.5	0~60 (Nonfreezing)
RVZ10HS		92	27	44	1.0	
RVZ15HS		92	65	100	1.5	
RVZ05LS	3.5~5	60	10	12	0.5	0~60 (Nonfreezing)
RVZ10LS		60	36	44	1.0	
RVZ15LS		60	86	100	1.5	

\*Note: The vacuum flow rate and pumping time for RVE and RVZ series with different vacuum degrees refer to the RV series

### STANDARD SPECIFICATIONS

Working medium	Filter compressed air	Using voltage	DC24V
Gas supply pressure range	3.5~7.0bar	Action frequency	5 times/S
Starting pressure	≥3.0bar	Power dissipation	1W
Operating temperature	0~60°C	Power connection form	L M-type port plugging and unplugging
Body material	Aluminum Alloy	Protection level	Ip50

### CONNECTION SPECIFICATIONS

Model	RV05	RV10	RV15	RV20	RV25	RV30
Air supply port thread	Rp 1/8	Rp 1/8	Rp1/4	Rp 1/4	Rp3/8	Rp1/2
Vacuum port thread	Rp 1/8	Rp 1/8	Rp1/4	Rp 3/8	Rp1/2	Rc3/4
Exhaust port thread	Rp 1/8	Rp 1/8	Rp1/4	Rp 1/2	Rp3/4	Rp3/4

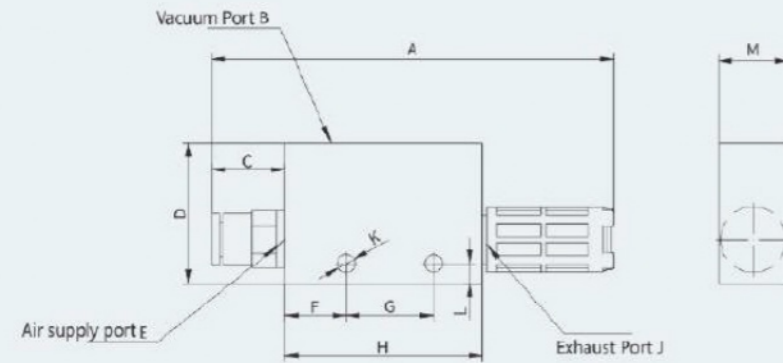
Note: The connection specifications for RVE10 and RVZ10 are the same as RV10, while RVE15 and RVZ15 are the same as RV15.



## RV/RVE/RVZ SERIES BASIC VACUUM GENERATOR

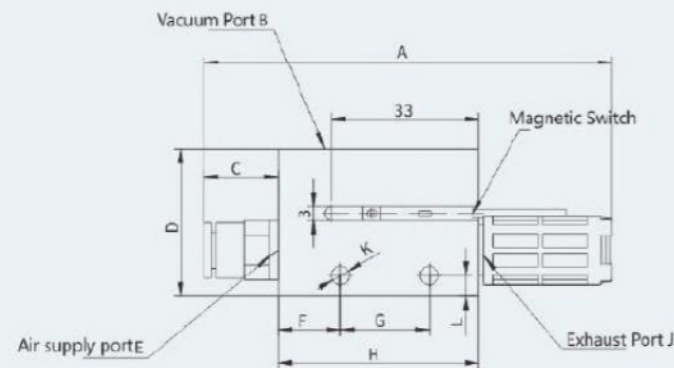
### SPECIFICATION AND SIZE (MM)

RV05~30



Model	A	B	C	D	E	F	G	H	L	J	K	M
RV05	95	Rp1/8	20	32	Rp1/8	14	20	45	4.5	Rp1/8	2-Ø4.2	16
RV10	95	Rp1/8	20	32	Rp1/8	14	20	45	4.5	Rp1/8	2-Ø4.2	16
RV15	128	Rp1/4	15	35	Rp1/4	23	25	63	5	Rp1/4	2-Ø4.2	20
RV20	178.5	Rp3/8	20	40	Rp1/4	28	32	85	7	Rp1/2	2-Ø6	30
RV25	232.5	Rc1/2	20	60	Rp3/8	20	50	100	5.5	Rp3/4	2-Ø6	40
RV30	250.5	Rc3/4	20	60	Rp1/2	33	50	118	5.5	Rp3/4	2-Ø6	40

RV05~20-CK

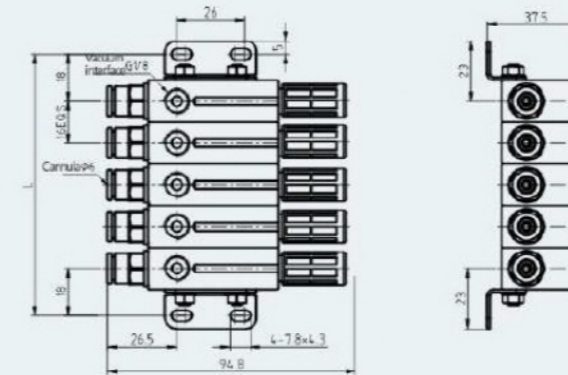


Model	A	B	C	D	E	F	G	H	L	J	K	M
RV05-CK	95	Rp1/8	20	32	Rp1/8	14	20	45	4.5	Rp1/8	2-Ø4.2	16
RV10-CK	95	Rp1/8	20	32	Rp1/8	14	20	45	4.5	Rp1/8	2-Ø4.2	16
RV15-CK	128	Rp1/4	15	35	Rp1/4	23	25	63	5	Rp1/4	2-Ø4.2	20
RV20-CK	178.5	Rp3/8	20	40	Rp1/4	28	32	85	7	Rp1/2	2-Ø6	30

## RV/RVE/RVZ SERIES BASIC VACUUM GENERATOR

### SPECIFICATION AND SIZE (MM)

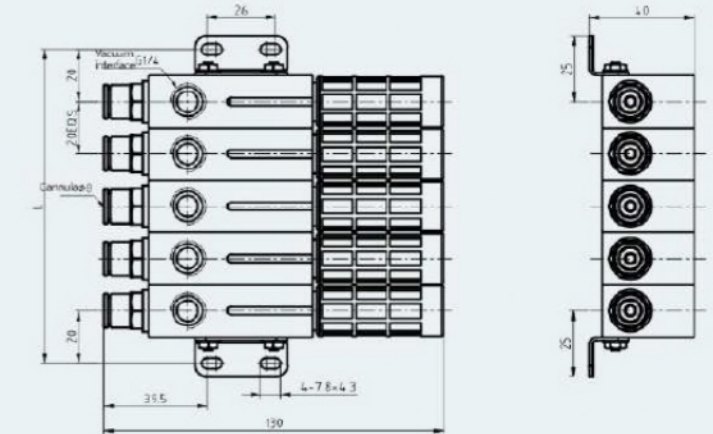
RV10-HSCK5-□



Specifications and dimensions

Serial Number	Specification and model	L	Serial Number	Specification and model	L
1	RV10-HSCK5-02	52	5	RV10-HSCK5-06	116
2	RV10-HSCK5-03	68	6	RV10-HSCK5-07	132
3	RV10-HSCK5-04	84	7	RV10-HSCK5-08	148
4	RV10-HSCK5-05	100	8	RV10-HSCK5-09	164

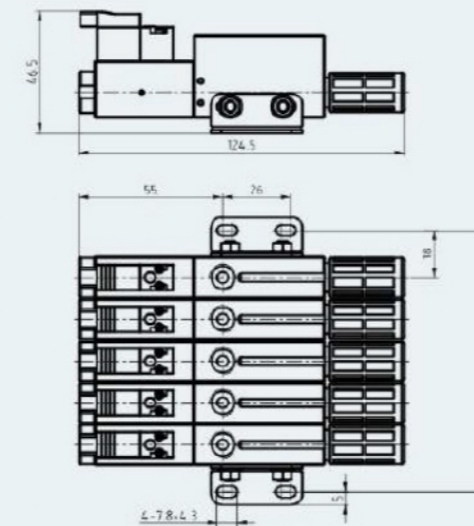
RV15-HSCK5-□



Specifications and dimensions

Serial Number	Specification and model	L	Serial Number	Specification and model	L
1	RV15-HSCK5-02	60	5	RV15-HSCK5-06	144
2	RV15-HSCK5-03	80	6	RV15-HSCK5-07	164
3	RV15-HSCK5-04	100	7	RV15-HSCK5-08	184
4	RV15-HSCK5-05	120	8	RV15-HSCK5-09	204

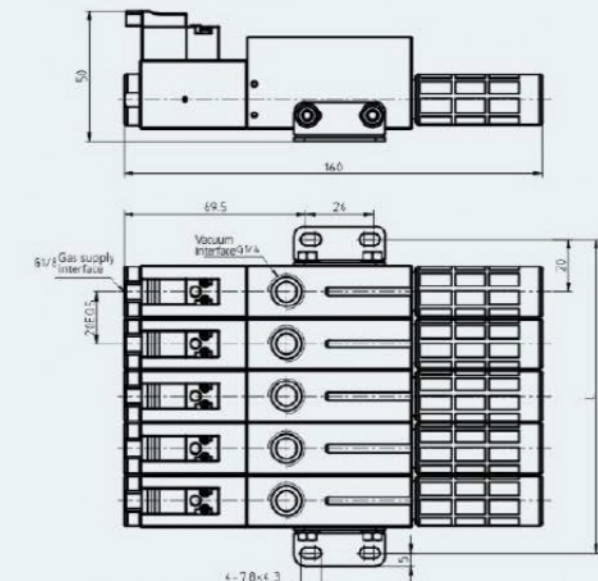
RVE10-HSCK5-□



Specifications and dimensions

Serial Number	Specification and model	L	Serial Number	Specification and model	L
1	RVE10-HSCK5-02	52	5	RVE10-HSCK5-06	116
2	RVE10-HSCK5-03	68	6	RVE10-HSCK5-07	132
3	RVE10-HSCK5-04	84	7	RVE10-HSCK5-08	148
4	RVE10-HSCK5-05	101	8	RVE10-HSCK5-09	164

RVE15-HSCK5-□



Specifications and dimensions

Serial Number	Specification and model	L	Serial Number	Specification and model	L
1	RVE15-HSCK5-02	60	5	RVE15-HSCK5-06	144
2	RVE15-HSCK5-03	80	6	RVE15-HSCK5-07	164
3	RVE15-HSCK5-04	100	7	RVE15-HSCK5-08	184
4	RVE15-HSCK5-05	120	8	RVE15-HSCK5-09	204