

Solenoid valve(3/2 way)

3V1 Series



Symbol



Product feature

1. Direct acting type and normally closed mode, flexible in direction change.
2. No need to add oil for lubrication.
3. Several valves can be installed integrately to save installation space.
4. Affiliated manual devices are equipped to facilitate installation and debugging.
5. Several standard voltage grades are optional.

Specification

Model	3V1-M5	3V1-06
Fluid	Air(to be filtered by 40μm filter element)	
Acting	Direct acting	
Port size [Note1]	M5	1/8"
Valve type	3 port 2 position	
Lubrication	Not required	
Operating pressure	0~0.8MPa(0~114psi)	
Proof pressure	1.2MPa(175psi)	
Temperature	-20~70°C	
Orifice size	Φ1.2mm	
Material of body	Aluminum alloy	

[Note1] PT thread, G thread and NPT thread are available.

Coil specification

Item	Specification				
Standard voltage	AC220V	AC110V	AC24V	DC24V	DC12V
Scope of voltage	AC: ±15% DC: ±10%				
Power consumption	4,5VA	4,5VA	5,0VA	3,0W	2,5W
Protection	IP65(DIN40050)				
Temperature classification	B Class				
Electrical entry	Terminal, Grommet				
Activating time	0.05 sec and below				
Max. frequency [Note 1]	10 cycle/sec				

[Note 1] The maximum actuation frequency is in the no-load state.

Ordering code

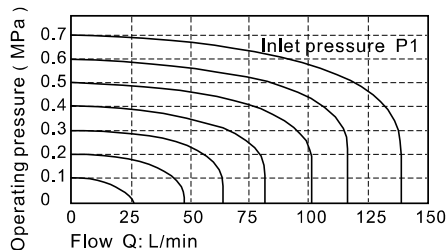
3V 1 06 A □ □



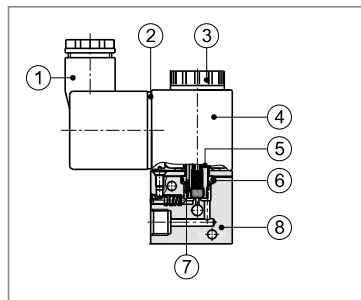
① Model	② Code	③ Port size	④ Standard voltage	⑤ Electrical entry	⑥ Thread type
3V: Solenoid valve (3/2 way)	1: 1 Series	M5: M5 06: 1/8"	A: AC220V B: DC24V C: AC110V E: AC24V F: DC12V	Blank: Terminal I: Grommet[Note]	No this code Blank: PT G: G T: NPT

[Note] The wire length is 0.5m.

Flow chart



Inner structure



No.	Item	No.	Item
1	Connector	5	Armature
2	Gasket	6	O-ring
3	Coil nut	7	Return spring
4	Coil	8	Body